

Power Controller to 60A DC Series



FEATURES:

- Solid State Relay Assemblies rated to 10ADC @ 40° C (100% duty cycle)
- Available in 1, 2 & 3 Pole configurations
- Relays approved to the following: UL, CSA, VDE & CE
- Parallel connectability available for higher current ratings (mosfet output)
- Load suppression diode included
- Low on-state resistance
- Finger safe cover standard

OUTPUT SPECIFICATIONS	Bipolar output - 4000V isolation			
	HBC-DC60A7A	HBC-DC60D7A	HBC-D2D12A	HBC-D4D12A
Operating Voltage [Vdc]	3-60	3-60	0-200	0-400
Load Current Range [Adc]	.02-7	.02-7	.02-10	.02-10
Max. Surge Current [Adc]	14 (1 sec)	14 (1 sec)	27 (10Msec)	36 (10Msec)
Max. On-State Voltage Drop [Vdc]	1.7	1.7	2.8	4.2
Max Off-State Leakage Current [mA]	0.1	0.1	0.3	0.3
Max. Turn-on Time	10 mS	0.1 mS	100 μS	100 μS
Max. Turn-off Time	40 mS	0.3 mS	1.0 mS	1.0 mS
INPUT SPECIFICATIONS				
Control Voltage Range	90-280Vrms	3.5-32Vdc	3.5-32Vdc	3.5-32Vdc
Max. Turn-on Voltage	90Vrms	3.5Vdc	3.5Vdc	3.5Vdc
Min. Turn-off Voltage	10Vrms	1.0Vdc	1.0Vdc	1.0Vdc
Nominal Input Impedance [Ohms]	60K	1500	See Note *	See Note *
Typical Input Current	2mA @ 120Vrms, 4mA @ 240Vrms	2.2mA @ 5Vdc	1.6mA (5Vdc), 28mA (32Vdc) *	1.6mA (5Vdc), 28mA (32Vdc) *

OUTPUT SPECIFICATIONS	Mosfet output - 2500V isolation				
	HBC-D1D20A	HBC-D1D40A	HBC-D06D6A	HBC-D06D8A	HBC-D06D1A
Operating Voltage [Vdc]	0-100	0-100	0-60	0-60	0-60
Load Current Range [Adc]	.02-15	.02-25	.05-40	.05-50	.05-60
Max. Surge Current [Adc]	42 (10Msec)	106 (10Msec)	180 (10msec)	220 (10msec)	270 (10msec)
Max. On-State Voltage Drop [Vdc]	2.1	2.1	0.6	0.7	0.5
Max Off-State Leakage Current [mA]	0.3	0.3	0.1	0.2	0.3
Max. Turn-on Time	100 μS	100 μS	300 μS	300 μS	300 μS
Max. Turn-off Time	1.0 mS	1.0 mS	1.0 mS	1.0 mS	1.0 mS
INPUT SPECIFICATIONS					
Control Voltage Range	3.5-32Vdc				
Max. Turn-on Voltage	3.5Vdc				
Min. Turn-off Voltage	1.0Vdc				
Nominal Input Impedance [Ohms]	See Note *				
Typical Input Current	1.6mA (5Vdc), 28mA (32Vdc) *				

* Input circuitry incorporates active current limiter

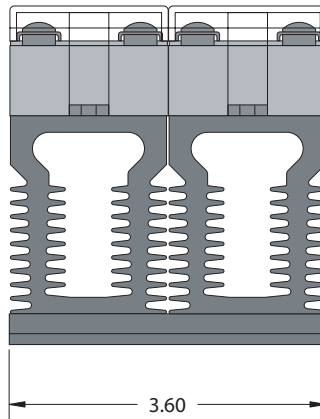
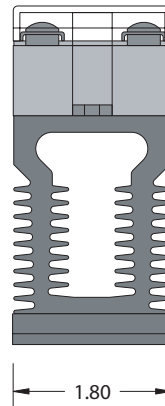
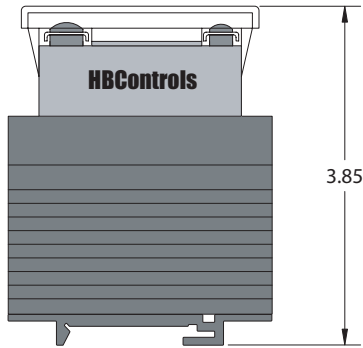
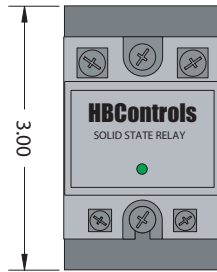
Prefix options:

- Relay Monitoring Board
(MBDC-XX (See MB Spec Sheets))

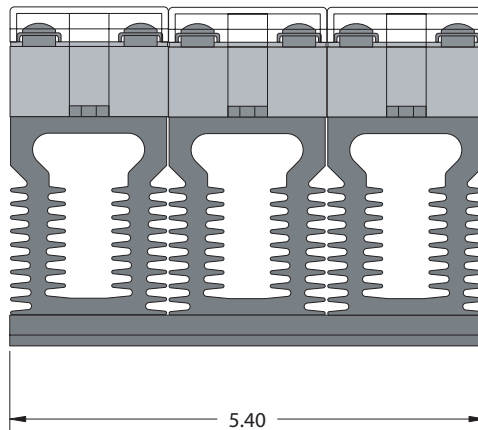
OPTIONS:

- 2 2 Pole configuration
- 3 3 Pole configuration
- WH Wiring harness for multi-pole configurations
- TP Through panel-mount
- PM Panel Mount
- ND No DIN Clip

Power Controller to 60A DC Series



**3 Phase/
2 Pole
(-2 Option)**



**3 Phase/
3 Pole
(-3 Option)**